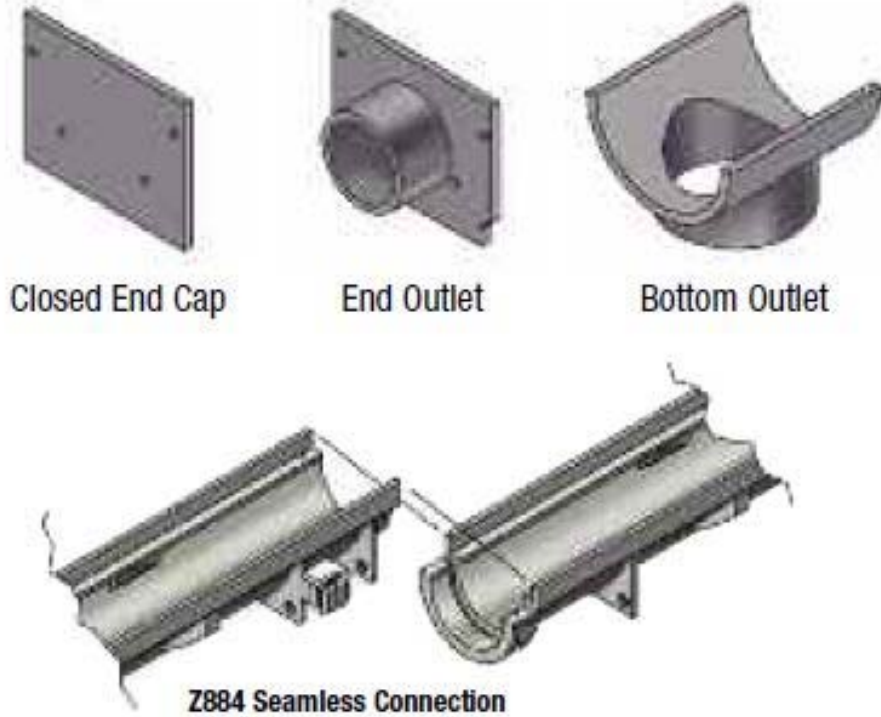
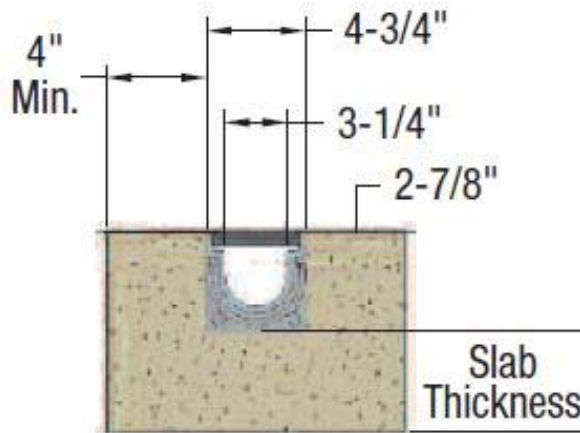


<p><b>Number</b> <b>Z884 Accessories</b></p>	<p><b>Series</b> <b>CPZ884</b> Accessories Z884 Series</p>
--	--

**Z884 Accessories and Connection Features**



**Z884 Installation Specification**



**Manufacturer**



DISCLAIMER - The customer and the customer's architects, engineers, consultants, and other professionals are completely responsible for the selection installation and maintenance of any product purchased from Trench Drain Supply and/or its manufacturers. TRENCH DRAIN SUPPLY MAKES NO WARRANTY, EXPRESS OR IMPLIED, AS TO THE SUITABILITY, DESIGN, MERCHANTABILITY, OR FITNESS OF THE PRODUCT FOR CUSTOMERS APPLICATION. The drawing and information provided remain the property and copyright of the manufacturer listed. The manufacturer reserves the right to modify specification without notice.